



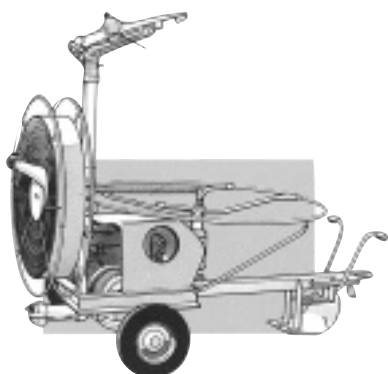
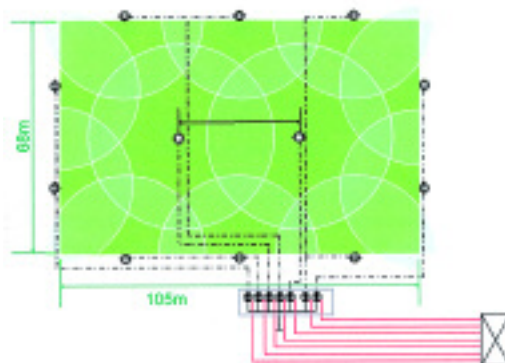
# IRRIGATION OF SPORTSFIELDS AND HORSE RACING TRACKS

The House of Irrigation offers five different options for the irrigation and upgrading of sportsfields to the highest standards and specifications:



1. **Perrot pop-up sprinklers** with fully automatic or manual control

- Operating pressure: 5.5–7 bar
- Precipitation: 2.5mm/h–10mm/h
- Water consumption: 16–20m<sup>3</sup>/h
- Type of sprinkler: LVZR 22
- Manual or automatic control via Perrot Water Control (see p66)



2. A **crawler** with a sprinkler gun mounted on top, which moves along a cable by means of water-driven propulsion

- Operating pressure: 4–6 bar
- Precipitation: 2.5–4mm/h
- Water consumption: 14.7–48m<sup>3</sup>/h
- Type of sprinkler: ZN 22 W
- Refer to pp29-30 of catalogue

3. The **Perrot Rollcart**, which moves along a cable by means of a water-driven turbine. An impact sprinkler is mounted on top of the rollcart.

- Operating pressure: 4–7 bar
- Precipitation: 2.5–4.0mm/h
- Water consumption: 2.3–4.2m<sup>3</sup>/h
- Refer to pp27-28 of catalogue



4. A **solid set system** with quick-coupling pipes and sprinklers

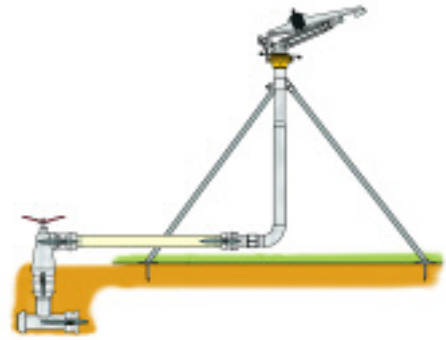
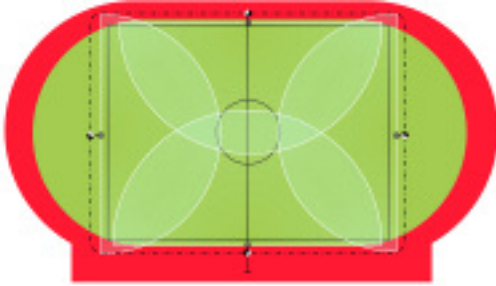
- Operating pressure: 2.5–5 bar
- Precipitation: 2.3–15.7mm/h
- Water consumption: 1.0–5.0m<sup>3</sup>/h





5. A **large area sprinkler gun** fixed to a mobile gunstand and flexible hose or quick-coupling pipes and connected to hydrants

- Operating pressure: 5.5–6.0 bar
- Precipitation: 18.5mm/h
- Water consumption: 33m<sup>3</sup>/h
- Type of sprinkler: ZN 23 W

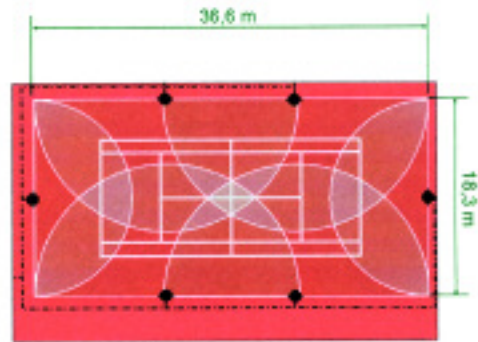


### Tennis courts



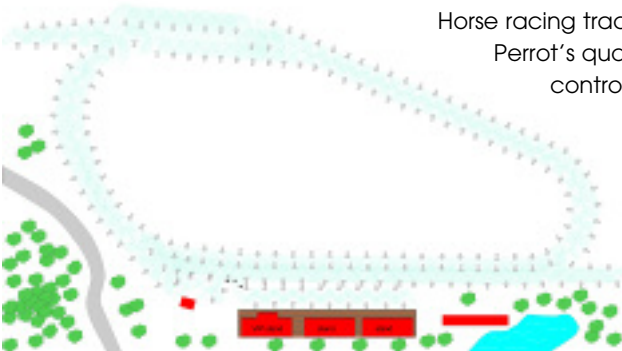
The House of Irrigation also has a solution for the irrigation of tennis courts with red-gravel and grass surfaces. Courts can be irrigated and moistened using Perrot pop-up sprinklers with fully automatic or manual control.

- Operating pressure: 4–5 bar
- Precipitation: 10mm/h
- Water consumption: 7.2m<sup>3</sup>/h
- Type of sprinkler: LVZA 22



### Horse racing tracks

Horse racing tracks and showjumping grounds can be irrigated using Perrot's quality pop-up sprinklers with fully automatic or manual control.



- Types of sprinkler: LVZA 22, LVZE 22 and/or LVZR 22



The House of Irrigation, in conjunction with Perrot, offers a full design and installation service for the irrigation of sportsfields and horse racing tracks. For more information, contact The House of Irrigation on tel +27 12 810 9326, fax +27 12 803 8707 or e-mail: [house@irrigation.co.za](mailto:house@irrigation.co.za).